



Salient Features

- Design Standard IS 5290.
- Screwed in Bonnet having instantaneous coupling with single outlet.
- PTFE Gland Packing for longer life and smooth operation.
- Large flow way area to get full flow of water.
- Conforming to Type-A, specification.

Suitable For

| |
|------------|
| Steam |
| Water ■ |
| Oil |
| Air |
| Gases |

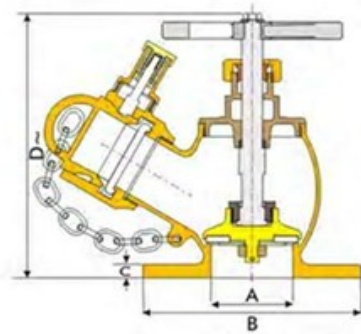
Test Pressure (Hydraulic) Shell : 21 kg/cm²g (300 psig) Seat : 14 kg/cm²g (200 psig)

Materials of Construction

| Name of Part | Material | Specification |
|-----------------------------------|--------------------|-------------------|
| Body, Bonnet & Disc Nut | Bronze | IS 318 Gr. FG 200 |
| Bolt, Washer & Chain | Carbon Steel | IS 1367 |
| Gland, Gland Nut & Disc Holder | Bronze | IS 318 Gr. LTB 2 |
| Stem, Nut & Cam Tooth | Brass | IS 319 |
| Handwheel | Cast Iron | IS 210 Gr. FG 200 |
| Packing | PTFE | BS EN 12086 |
| Disc & Washer | Rubber | IS 937 |
| Cam Housing, Cap & Adjusting Ring | Bronze | IS 318 Gr. LTB 2 |
| Instantaneous Coupling | Bronze | IS 318 Gr. LTB 2 |
| Spring | Phosphorous Bronze | IS 7608 |
| Blank Cap | Aluminium / PVC | - / IS 15225 |

Sizes / Dimensions

| Inches | mm | A | B | C | D |
|--------|----|----|-----|----|-----|
| 3 | 80 | 75 | 200 | 12 | 240 |



Zoloto Industries
Zoloto House, 11th Milestone, Lambra, Nakodar Road,
Jalandhar - 144 026
Punjab, India

Phones : +91 181 4676666 (100 Lines)
Facsimile : +91 181 2792500 & 2251600
Email : zoloto@vsnl.com & sales@zolotovalves.com
Web : http://www.zolotovalves.com