



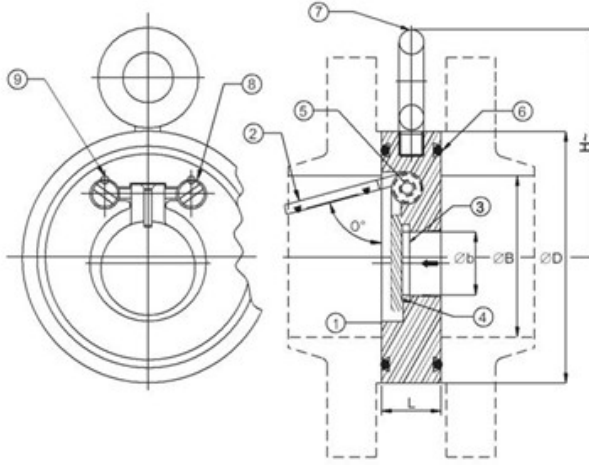
**CAST STEEL WAFER TYPE CHECK VALVE**

**PN-16**

**SPECIFICATIONS:** API 6D : 94

**CLASS RATING**  
PN-16

**WORKING PRESSURE**  
BODY : 2.4 Mpa (Hyd.)  
SEAT : 1.76 Mpa (Hyd.)



**STANDARD MATERIAL COMBINATION**

P.NO.	QTY.	DESCRIPTION	MATERIALS	SPECIFICATIONS
1	1	BODY	CAST STEEL	ASTM A 216:98 Gr. WCB
2	1	FLAP	CAST STEEL	ASTM A 216:98 Gr. WCB
3	1	BODY SEAT RING	S.S.	ASTM A 276:04 T410
4	1	'O' RING	EPDM	-----
5	1	HINGE PIN	S.S.	ASTM A 276:04 T410 OR ITS EQUIVALENT
6	2	'O' RING	EPDM	-----
7	1	EYE BOLT	CARBON STEEL	-----
8	2	LOCKING PLUG	S.S.	ASTM A 276:04 T410 OR ITS EQUIVALENT
9	2	LOCKING PIN	S.S.	ASTM A 276:04 T410 OR ITS EQUIVALENT

**DIMENSIONAL DATA**

NPS	50	65	80	100	125	150	200	250	300	
L	19	19	19	19	19	19	28.6	28.6	38.1	
H	81	87	97	113	129	140	175	208	232	
Øb	30	37	48	71	94.5	113	150	194	228	
ØD	95	107	126	158	190	210.5	266	331.5	379	
ØB	52.5	62.7	77.9	102.3	128.2	154.1	202.7	254.5	304.9	
ITEM CODE NOS.	0°	50	60	68	60	64	63	67	65	71
	Aprox. Wt. ^									
	PN-16	CCS032	CCS032	CCS032	CCS032	CCS032	CCS032	CCS032	CCS032	CCS032

**TEST PRESSURES**

NOMINAL PRESSURE ACCORDING TO CLASS DESIGNATION	SHELL TEST (HYDROSTATIC)	SEAT (HYDROSTATIC)	STANDARD NO.
PN-16	2.4 Mpa (Hyd.)	1.76 Mpa (Hyd.)	API 6D : 94

NOTE: The above data is subject to change without notice due to our continuing product improvement program.

(01)



**JAYARAJ PIPE TRADERS**

48/425 Q, JAYARAJ HOUSE, ELAMAKKARA, COCHIN 682 026  
 TEL. No. 0484 253 0785, 240 8008, 240 8009. FAX: 0484 253 0785  
 E-mail: jaypipescochin@gmail.com, sales@jayarajpipes.com  
 Web: www.jayarajpipes.com

