



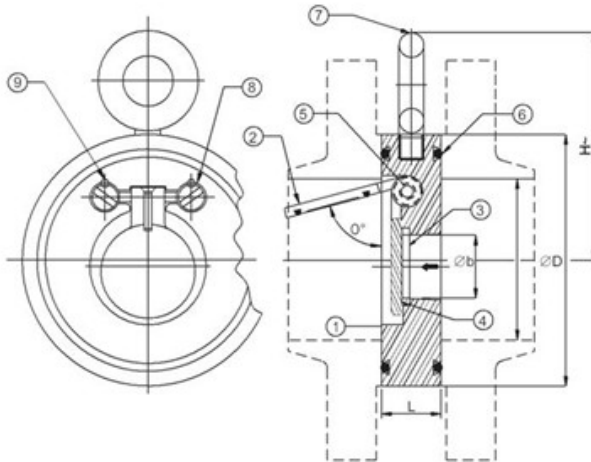
CAST IRON WAFER TYPE CHECK VALVE

PN-16

SPECIFICATIONS :
WITH RENEWABLE RESILIENT 'O' SEAL IN FLAP & CU. ALLOY PART

CLASS RATING
PN-16

WORKING PRESSURE
BODY : 24 bar (Hyd.)
SEAT : 17.6 bar (Hyd.)



STANDARD MATERIAL COMBINATION

P.NO.	QTY.	DESCRIPTION	MATERIALS	SPECIFICATIONS
1	1	BODY	C.I.	B.S. EN 1561:97 Gr.200
2	1	FLAP	C.I.	B.S. EN 1561:97 Gr.200
3	1	BODY SEAT RING	GM	BSEN 1982:99 CC491K
4	1	'O' RING	EPDM	-----
5	1	HINGE PIN	BRASS	DIN EN 12165:98 CW721R
6	2	'O' RING	EPDM	-----
7	1	EYE BOLT	CARBON STEEL	-----
8	2	LOCKING PLUG	GM	BSEN:1982:CC491K
9	2	LOCKING PIN	BRASS	DIN EN 12165:98 CW721R

DIMENSIONAL DATA

NPS	50	65	80	100	125	150	200	250	300	
L	19	19	24	27	32	32	42	47	52	
H	81	87	97	113	129	140	175	208	232	
∅b	30	37	48	71	94.5	113	150	194	228	
∅D	95	107	126	158	190	210.5	266	331.5	379	
ITEM CODE NOS.	0°	50	60	68	60	64	63	67	65	71
	Aprox. Wt.									
	PN-16	CI0038	CI0038	CI0038	CI0038	CI0038	CI0038	CI0038	CI0038	CI0038

TEST PRESSURES

NOMINAL PRESSURE ACCORDING TO CLASS DESIGNATION	SHELL TEST (HYDROSTATIC)	SEAT & BACK SEAT (HYDROSTATIC)	STANDARD NO.
PN-16	24bar (Hyd.)	17.6bar (Hyd.)	

NOTE: The above data is subject to change without notice due to our continuing product improvement program.

(01)



JAYARAJ PIPE TRADERS

48/425 Q, JAYARAJ HOUSE, ELAMAKKARA, COCHIN 682 026
 TEL. No. 0484 253 0785, 240 8008, 240 8009. FAX: 0484 253 0785
 E-mail: jaypipescochin@gmail.com, sales@jayarajpipes.com
 Web: www.jayarajpipes.com

