

STANDARD MATERIAL COMBINATION				
P. NO.	DISCRIPTION	MATERIAL SPECIFICATION		
		WCB	CF8	CF8M
1.	BODY	ASTM A216 Gr. WCB	ASTM A351 Gr.	ASTM A351 Gr.
2.	DISC HOLDING PLATE	ASTM A216 Gr. WCB	ASTM A351 Gr.	ASTM A351 Gr.
3.	BUSH	ASTM A276 TYPE 304	ASTM A276 TYPE 304	ASTM A276 TYPE 316
4.	DISC	ASTM A 217 Gr.CA15	ASTM A351 Gr.	ASTM A351 Gr.
5.	SPRING	S.S. 304/INCONEL	SS. 304/INCONEL	SS.316/INCONEL
6.	L-KEY SCREW	CARBON STEEL	ASTM A276 TYPE 304	ASTM A276 TYPE 316
7.	STOPPER PIN	13% Cr. STEEL (ASTM A276 TYPE 410)	ASTM A276 TYPE 304	ASTM A276 TYPE 316
8.	DISC HOLDER PIN	13% Cr. STEEL (ASTM A276 TYPE 410)	ASTM A276 TYPE 304	ASTM A276 TYPE 316
9.	EYE BOLT	CARBON STEEL	CARBON STEEL	CARBON STEEL
TEST PRESSURES				
CLASS	SHELL TEST (HYDROSTATIC)		SHELL TEST (HYDROSTATIC)	
150	30 Bar g	435 Psi g	22 Bar g	319 Psi g
300	76 Bar g	1102 Psi g	55 Bar g	780 Psi g

NOTE: The above data is subject to change without notice due to our continuing product improvement program.

(01)



JAYARAJ PIPE TRADERS

48/425 Q, JAYARAJ HOUSE, ELAMAKKARA, COCHIN 682 026
 TEL. No. 0484 253 0785, 240 8008, 240 8009. FAX: 0484 253 0785
 E-mail: jaypipescochin@gmail.com, sales@jayarajpipes.com
 Web: www.jayarajpipes.com





DIMENSIONAL DATA CLASS-150							
SIZE DN	50	65	80	100	150	200	250
L ^{±1.6}	60	67	73	73	98	127	146
∅C	50	65	68	100	150	200	250
∅D	152.5	178	190.5	229	279.5	343	406.5
∅dk	92	104.6	127	157.4	216	269.7	324
k	120.7	139.7	152.4	190.5	241.3	298.5	361.9
n	4	4	4	8	8	8	12
∅d	19.1	19.1	19.1	19.1	22.3	22.3	25.4
Aprox. Wt. [^]							

DIMENSIONAL DATA CLASS-300							
SIZE DN	50	65	80	100	150	200	250
L ^{±1.6}	60	67	73	73	98	127	146
∅C	50	65	68	100	150	200	250
∅D	165.1	190.5	209.6	254	317.5	381	444.5
∅dk	92	104.6	127	157.4	216	269.7	324
k	127	149.3	168.1	200.1	269.7	330.2	387.3
n	8	8	8	8	12	12	16
∅d	19.1	22.3	22.3	22.3	22.3	25.4	28.4
Aprox. Wt. [^]							

NOTE: The above data is subject to change without notice due to our continuing product improvement program. ([^]WEIGHT GIVEN IN KGS)

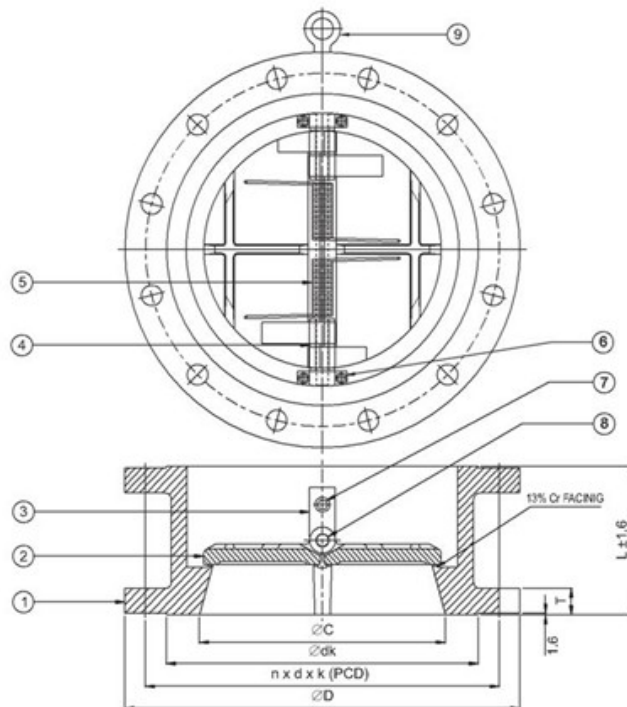
(02)



JAYARAJ PIPE TRADERS

48/425 Q, JAYARAJ HOUSE, ELAMAKKARA, COCHIN 682 026
 TEL. No. 0484 253 0785, 240 8008, 240 8009. FAX: 0484 253 0785
 E-mail: jaypipescochin@gmail.com, sales@jayarajpipes.com
 Web: www.jayarajpipes.com





PRODUCT SPECIFICATION : API 594 : 04

STANDARD MATERIAL COMBINATION				
P. No.	DESCRIPTION	MATERIAL SPECIFICATION		
		WCB	CF8	CF8M
1.	BODY	ASTM A216 Gr. WCB	ASTM A351 Gr.CF8	ASTM A351 Gr. CF8M
2.	DISC	ASTM A217 Gr.CA15	ASTM A351 Gr.CF8	ASTM A351 Gr. CF8M
3.	DISC HOLDING PLATE	ASTM A216 Gr. WCB	ASTM A351 Gr.CF8	ASTM A351 Gr.CF8M
4.	BUSH	ASTM A276 TYPE 304	ASTM A276 TYPE 304	ASTM A276 TYPE 316
5.	SPRING	S.S. 304/INCONEL	SS.304/INCONEL	SS.316/INCONEL
6.	L-KEY SCREW	CARBON STEEL	ASTM A276 TYPE 304	ASTM A276 TYPE 316
7.	STOPPER PIN	13% Cr. STEEL (ASTM A276 TYPE 410)	ASTM A276 TYPE 304	ASTM A276 TYPE 316
8.	DISC HOLDER PIN	13% Cr. STEEL (ASTM A276 TYPE 410)	ASTM A276 TYPE 304	ASTM A276 TYPE 316
9.	EYE BOLT	CARBON STEEL	CARBON STEEL	CARBON STEEL
TEST PRESSURES				
CLASS	SHELL TEST (HYDROSTATIC)		SHELL TEST (HYDROSTATIC)	
150	30 Bar g	435 Psi g	22 Bar g	319 Psi g
300	76 Bar g	1102 Psi g	55 Bar g	780 Psi g
NOTE: The above data is subject to change without notice due to our continuing product improvement program.				

(03)



JAYARAJ PIPE TRADERS

48/425 Q, JAYARAJ HOUSE, ELAMAKKARA, COCHIN 682 026
 TEL. No. 0484 253 0785, 240 8008, 240 8009. FAX: 0484 253 0785
 E-mail: jaypipescochin@gmail.com, sales@jayarajpipes.com
 Web: www.jayarajpipes.com





DIMENSIONAL DATA CLASS-150						
SIZE DN	300	350	400	450	500	600
L ^{±1.6}	181	184	191	203	219	222
∅C	300	350	400	450	500	600
T ^{+3.0} _{-0.0}	32	35.1	36.6	39.6	43	48
∅d	483	533.5	597	635	698.5	813
∅dk	381	412.8	470	533.5	584.2	692.2
k	431.8	476.2	539.7	577.8	635	749.3
n	12	12	16	16	20	20
∅d	25.4	28.4	28.4	31.8	31.8	35
Aprox.wt. [^]	170	190	221	243	--	--

DIMENSIONAL DATA CLASS-300						
SIZE DN	300	350	400	450	500	600
L ^{±1.6}	181	222	232	264	292	318
∅C	300	350	400	450	500	600
T ^{+3.0} _{-0.0}	50.8	54	57.2	60.5	63.5	70
∅d	521	584.2	648	711.2	775	914.5
∅dk	381	412.8	470	533.5	584.2	692.2
k	450.8	514.3	571.5	628.6	685.8	812.8
n	16	20	20	24	24	24
∅d	31.8	31.8	35	35	35	41.1
Aprox.wt. [^]						

NOTE: The above data is subject to change without notice due to our continuing product improvement program.

(04)



JAYARAJ PIPE TRADERS

48/425 Q, JAYARAJ HOUSE, ELAMAKKARA, COCHIN 682 026
 TEL. No. 0484 253 0785, 240 8008, 240 8009. FAX: 0484 253 0785
 E-mail: jaypipescochin@gmail.com, sales@jayarajpipes.com
 Web: www.jayarajpipes.com

