



BRASS BALL VALVES

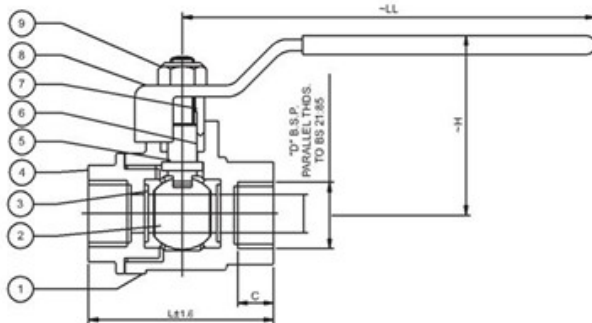
PN-25, PN-30 & PN-40

SPECIFICATIONS:

FULL BORE BALL VALVE , TWO PIECE DESIGN, LEVER OPERATED, SCREWED FEMALE BSP PARALLEL THREADS TO BS21. OTHER FORMS OF THREADS CAN BE PROVIDED ON REQUEST.

PRESSURE-TEMPERATURE RAINGS

15mm = PN - 40
20mm To 25mm = PN-30
32mm To 50mm = PN-25



STANDARD MATERIAL COMBINATION

P.NO.	QTY.	DESCRIPTION	MATERIALS	SPECIFICATIONS
1	1	BODY	NICKLE-PLATED FORGED BRASS	DIN EN 12165:98 CW 617N
2	1	BALL (NICKLE-PLATED)	BRASS	DIN EN 12164:98 CW 614N
3	2	SEAT	PTFE	-----
4	1	END CONNECTOR	BRASS	DIN EN 12165:98 CW 617N
5	1	STEM	BRASS	DIN EN 12164:98 CW 614N
6	1	STEM PACKING	PTFE	-----
7	1	GLAND	BRASS	DIN EN 12164:98 CW 341N
8	1	LEVER	CARBON STEEL SHEET	PVC INSULATED
9	1	NYLOCK NUT	CARBON STEEL	-----

DIMENSIONAL DATA

	NPS	15	20	25	32	40	50
∅b		15	20	25	32	40	50
L		49	59	70	81	94	112
~H		40	47.5	51.5	62	71	86
~LL		90	105	105	120	140	170
D		1/2"	3/4"	1"	1-1/4"	1-1/2"	2"
ITEM CODE NOS.	C	9.5	11.5	13	14.3	16	18.5
	Aprox. Wt. ^						
	PN-16	GM064 A D	GM064 B F	GM064 B G	GM064 C H	GM064 C I	GM064 C J

TEST PRESSURES

CLASS	SHELL TEST (HYDROSTATIC)	SEAT		STANDARD NO.
		(HYDROSTATIC)	(PNEUMATIC)	
PN 25	37.5	275	6.9	12266 PART-1
PN 30	45	33	6.9	12266 PART-1
PN 40	60	44	6.9	12266 PART-1

NOTE: The above data is subject to change without notice due to our continuing product improvement program.

(01)



JAYARAJ PIPE TRADERS

48/425 Q, JAYARAJ HOUSE, ELAMAKKARA, COCHIN 682 026
TEL. No. 0484 253 0785, 240 8008, 240 8009. FAX: 0484 253 0785
E-mail: jaypipescochin@gmail.com, sales@jayarajpipes.com
Web: www.jayarajpipes.com

